

# DUAL - Differential Pressure Transducer

0-250Pa / 0-1250Pa



## DUAL - DPT with Modbus interface

0-250Pa / 0-1250Pa

Optimize and simplify your ventilation system with the Lodam DUAL - DPT. The 2 in 1 solution with two integrated sensor elements will save space, cost and add enhance function. The Modbus interface also adds the option of data from 1 onboard and 2 external temperature sensors.



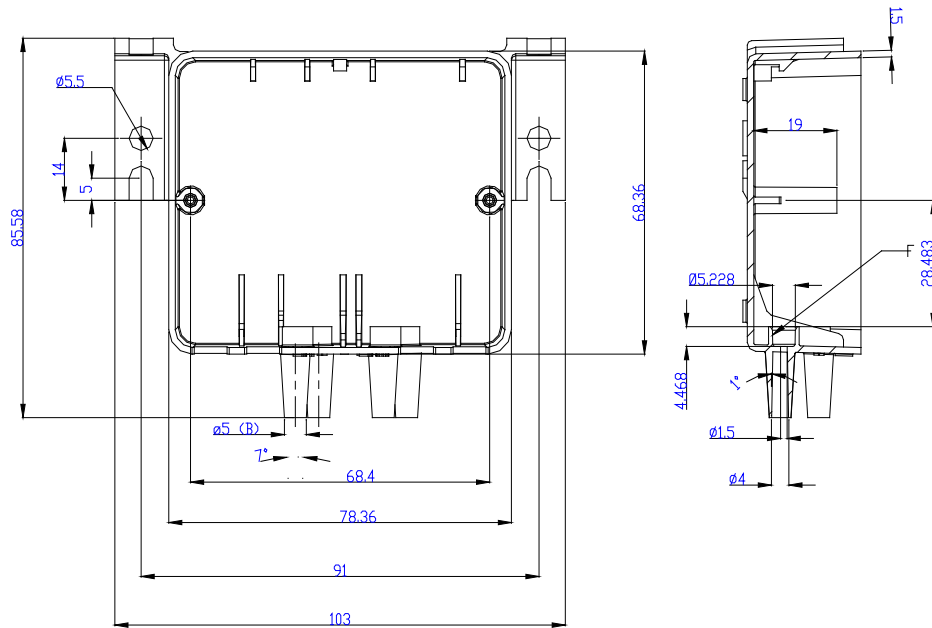
The DUAL DPT with Modbus is designed for the Lodam Multi Controller (LMC300) which is one standard hardware platform that can be tailored to an infinite number of solutions. The DUAL DPT however, can also be used with other controllers via Modbus interface.

Additional Lodam ventilation products:

- Intelligent ventilation controller
- Temp, CO<sub>2</sub> and RH sensors
- Ethernet module
- Full graphical color display
- Optional modules

# Lodam DUAL - DPT

0-250Pa / 0-1250Pa



## Technical specifications:

Pressure ranges	0-250Pa / 0-1250Pa
Power supply	12-32V; Max 20mA supply current
RS485 ports	1 (2 connections)
Over pressure	Max 8 KPa
Temperature range	-25°C ~ +85°C
Accuracy (max total error)	0 - 250Pa; max 2,25%, FS = +/- 6Pa 0 - 1250Pa; max 1,5%, FS = +/- 19Pa
Resolution	1 Pa
Onboard temperature sensor	1; -30°C ~ +70°C
Accuracy	± 1 °C
External temperature sensors	Option of 2
Accuracy	± 3 °C in the range -50 °C ~ -36 °C ± 1 °C in the range -35 °C ~ +49 °C ± 3 °C in the range +50 °C ~ +99 °C
Resolution	<= 1,0 °C in the range < -35 °C <= 0,2 °C in the range -35 °C ~ +39 °C <= 1,0 °C in the range +40 °C ~ +85 °C
Mounting	Air inlet pointing downwards or horizontal
Pressure measurement	in "air only"
ZERO function of output without pressure	- via Modbus
CE approved	

