



## LUP200

### *Full graphical color display*

Differentiate your products by tailoring your own OEM menu for the Lodam LUP200. The full graphical display makes everything possible: self explanatory icons, graphical calendar, help texts, visible alarm functions and much more by menus tailored to meet your needs and applications.



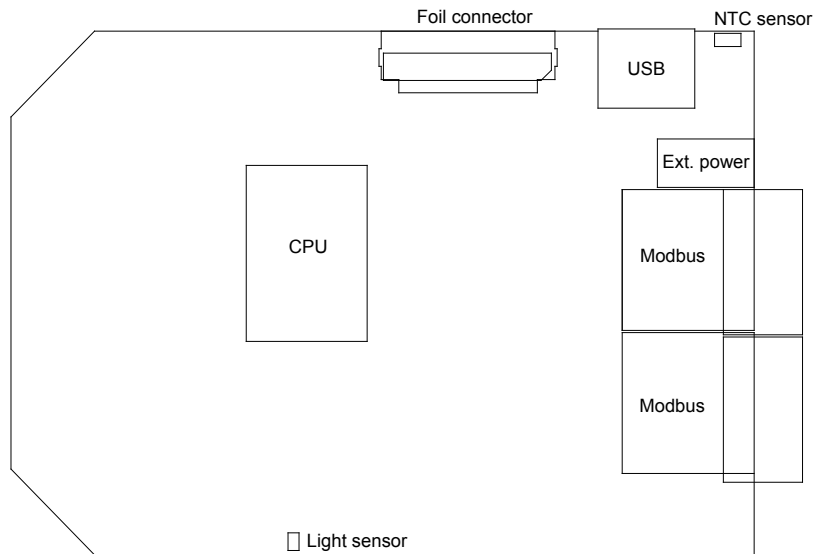
The Lodam LUP200 is designed for the Lodam Multi Controller LMC300 which can be used for heat pumps, ventilation or other HVAC applications.

The LUP200 can also be tailored to be used with your controller via Modbus interface.

LUP200 for all Lodam applications:

- Heat pumps
- Ventilation
- Compressor control
- Fan controller
- Industrial cooling

# LUP200 connection diagram



## Technical specifications:

Display	262k colors, graphical display 320x240 pixels
PCB dimensions	85mm (l) * 60mm (w) * 20mm (h)
Power supply	12V – 24VDC
CPU	AT91SAM7, ARM7 processor
Operating temperature	-20°C ~ + 60°C
Storage temperature	-20°C ~ + 70°C
RAM	16 MB
RS485 ports	1 port with 2 x connections and possibility of connecting 4 units in "daisy chain"
USB port	1 mini B connector (device mode only)
Temperature sensor	1 onboard NTC temperature sensor
Display backlight lifetime	30,000 hours at 20°C and "normal" brightness
Light intensity sensor	1 onboard light intensity sensor
Number of buttons	Up to 9 buttons
Languages	Ready for multiple languages & "special" characters