



## RH sensor

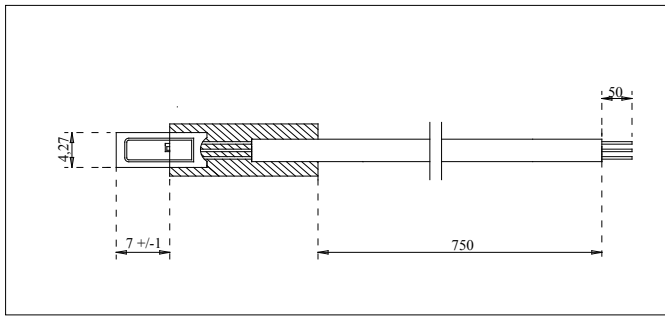
For an intelligent demand-driven air conditioning, Lodam offers the RH sensor, which combined with the Lodam air conditioning controller, can be used for achieve perfect air quality.



In addition Lodam offers a wide range of other sensors for the HVAC industry:

- Differential pressure transducers
- Temperature sensors
- CO<sup>2</sup> sensors
- O<sub>2</sub> sensors

## RH sensor



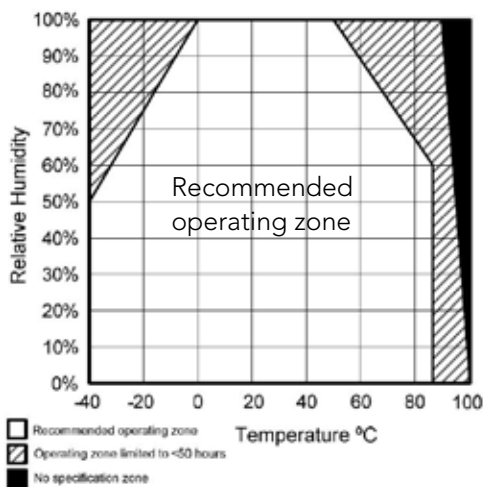
## Connection

Brown wire: 5V power supply

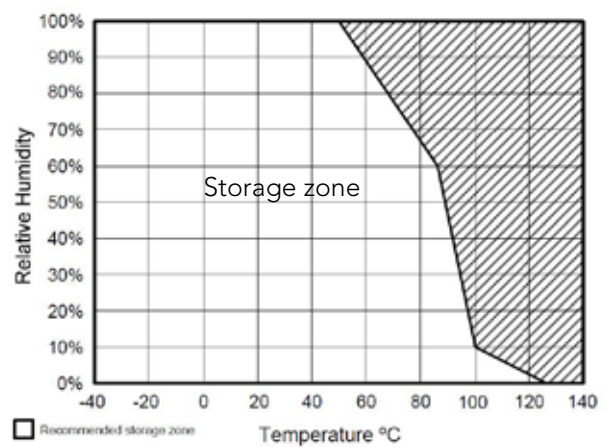
White wire: GND

Green wire: signal output

## Recommended Operating Conditions



## Storage Environment



## Technical specifications:

Measurement range	25% RH ~ 95% RH, non-condensing
RH accuracy	+/- 3.5% RH, 25% RH to 100% RH non-condensing, 25°C, 5 VDC supply
RH resolution	0,07% ved 25°C and 30% RH
RH accuracy	+/- 3% hysteresis + +/- 0,5 repeatability
RH response time	15 sec. in slowly moving air @ 25°C
RH stability	+/- 2% RH @ 50% RH/year
Power supply	4.0 VDC to 5.8 VDC, max. 500 $\mu$ A
Operating humidity range	Max. 0 ~ 100%, non-condensing
Storage humidity	Max. 95% RH, non-condensing
Operating temperature range	-40°C ~ +85°C
Storage temperature	-30°C ~ +70°C
Serial resistance on output	56k Ohm

Please remove plastic cover before use.